

STOCKTON WHEEL SERVICE INC.

Wheel Customization Form

648 W Fremont St. Stockton, CA

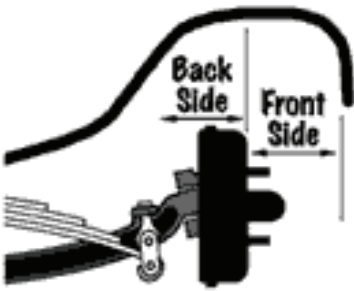
Toll Free: 1-800-395-9433

Local: 209-464-7771

Fax 209-464-4725

Please print, and fill out this form to include with your wheel customization order.

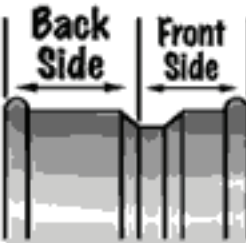
Front



f r o n t d i m e n s i o n s

Front Side: _____ Back Side: _____
 Wheel Size: _____ Bolt Circle: _____
 Drum/Caliper OD: _____ Bore: _____
 Clearance for tie rod ends, susp, etc: _____

Offsets

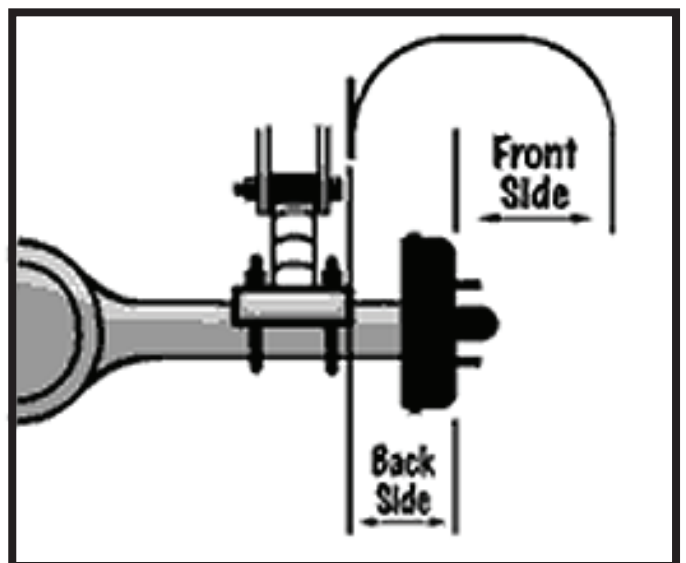


RIM SIZE	BACKSIDE DIMENSION
14x6	3.5" to 4.5"
14x7	4.0" to 5.5"
15x6	3.5" to 4.5"
15x7	4.0" to 5.5"
15x8	4.0" to 6.5"
15x10	4.5" to 8.0"
15x12	4.5" to 10.0"
15x14	4.5" to 11.0"

reverse offsets available

Your Name:
 Address:
 City, State, Zip:
 Phone / Cell:
 Email Address:

Make: _____
 Model: _____ Year: _____



Notes: